

Teo Lehtimäki Oy



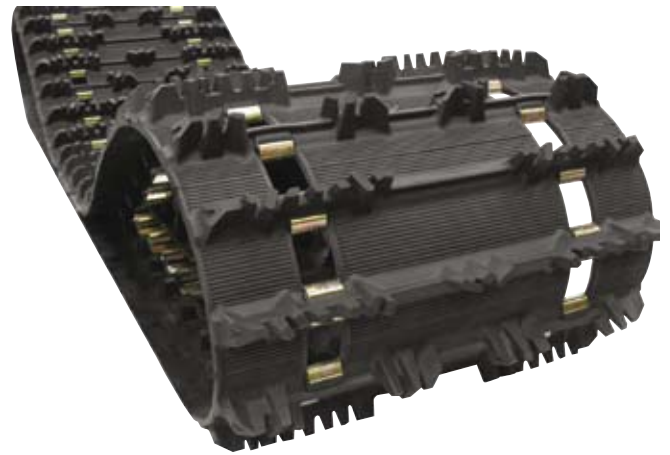
**Camoplast
mattojen alkuperäismitoitukset**

Kansikuvassa: Bruce Dashnaw

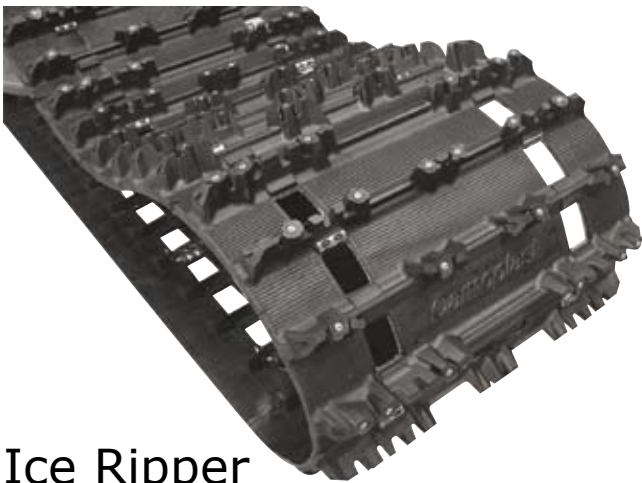
Seuraavilla sivuilla on Camoplastin tekemä tekninen taulukko moottorikelkkojen telamoista, mittoineen. Ohessa muutama selventävä kuva, mitä mikäkin mattotyyppi tarkoittaa



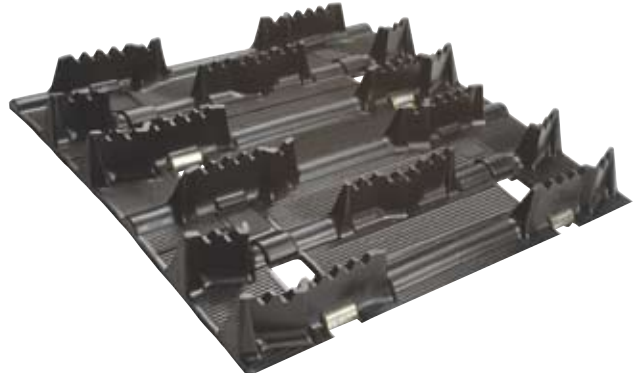
Predator



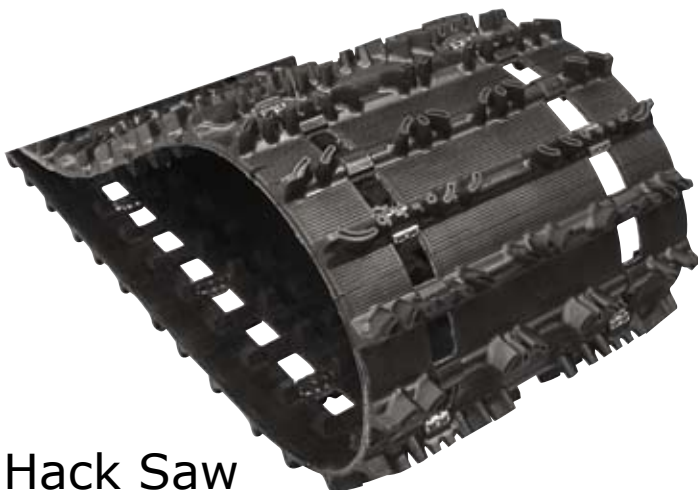
Rip Saw



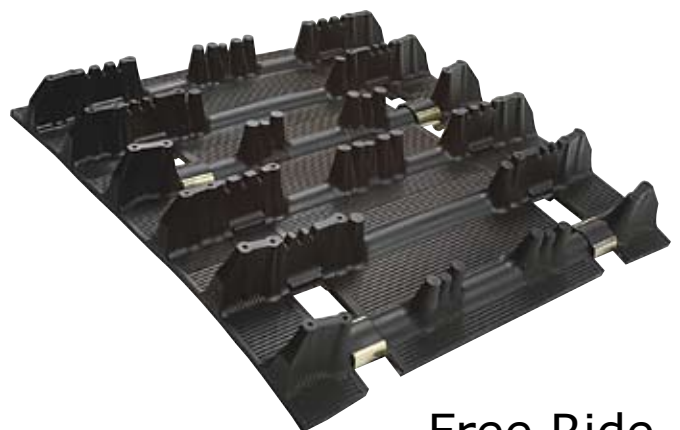
Ice Ripper



Challenger



Hack Saw



Free Ride

NOTES:

***B**ecause of our ongoing commitment to quality and innovation, we reserve the right, at any time, to discontinue or change specifications, designs, features, models, or equipment without incurring obligation.

**Not all tracks can be installed on all sleds without modification. The listings in the application chart fit OEM suspension, track width, length, and drive pitch only. To determine if an optional track is compatible with a particular snowmobile, you must check the bulkhead, tunnel, heat exchanger, and suspension wheel positioning for proper clearance.

***See your dealer for installation procedures.

Make and Model	Year(s)	Width	Length	Pitch	Application Notes
----------------	---------	-------	--------	-------	-------------------

Arctic Cat

4-Stroke Touring	02-03	15	136	2.52	
4-Stroke Trail	02-03	15	121	2.52	
Bearcat 340	96-00	15	136	2.52	
Bearcat 440	96-98	16	156	2.52	
Bearcat 440-I	99-00	15	136	2.52	
Bearcat 440-II	99-00	16	156	2.52	
Bearcat 570	04-07	16	156	2.52	
Bearcat WT - all	97-07	20	156	2.52	
Bearcat WT	96	16	156	2.52	
Cougar	96-98	15	121	2.52	
Cougar Mountain Cat	96-98	15	136	2.52	
Cougar Two-Up	96	15	136	2.52	
Crossfire - all including Sno Pro	07	15	136	2.52	track to come later
Crossfire	06	15	136	2.52	
EXT 580, EFI, Deluxe & 600 Triple	96-98	15	121	2.52	
EXT Mountain Cat	96-98	15	136	2.52	
EXT Powder Special - see Powder Special					
EXT Triple Touring - see Triple Touring					
F - all except 120	07	15	128	2.52	track to come later
Firecat F5, F6 & F7- all including Sno Pro	05-06	13,5	128	2.52	rear axle mod. req
Firecat F5, F6 & F7- all including Sno Pro	03-04	13.5	128	2.52	
Firecat F6 EXT & F7 EXT - all incl. Sno Pro	04-05	13.5	144	2.52	no track available
Jag - all including Jag Z	96-99	15	121	2.52	
Jaguar Z1 4-stroke	06	15	121	2.52	limited pre-prod mod
Jaguar Z1 4-stroke	07	15	121	2.52	track to come later
King Cat	04	15	162	2.52	
King Cat	05-06	15	162	3.0	
M 5	05-06	15	141	3.0	
M 6 / 141	07	15	141	3.0	track to come later
M 6 / 141	05-06	15	141	3.0	06 Challenger Extreme
M 6 / 153	07	15	153	3.0	track to come later
M 6 / 153	05-06	15	153	3.0	06 Challenger Extreme
M 7 / 141	05-06	15	141	3.0	06 Challenger Extreme
M 7 / 153 - all including Limited	05-06	15	153	3.0	06 Challenger Extreme
M 7 / 162 - all including Limited	05-06	15	162	3.0	06 Challenger Extreme
M 8 / 141	07	15	141	3.0	track to come later
M 8 / 153 - all including Sno Pro	07	15	153	3.0	track to come later
M 8 / 162	07	15	162	3.0	track to come later
M 1000 / 153 - all including Sno Pro	07	15	153	3.0	track to come later
M 1000 / 162 - all including Sno Pro	07	15	162	3.0	track to come later

Arctic Cat

	Year	Width	Length	Pitch	Applications
Mountain Cat 500	01-02	15	136	2.52	
Mountain Cat 570	02-04	15	136	2.52	
Mountain Cat 600 / 136 (inc. EFI)	01-03	15	136	2.52	
Mountain Cat 600 / 144 (inc. EFI)	02-04	15	144	2.52	
Mountain Cat 800 / 144 (inc. EFI)	01-03	15	144	2.52	
Mountain Cat 800 / 151 (inc. EFI & LE)	02-04	15	151	2.52	
Mountain Cat 800 / 159 (inc. EFI)	04	15	159	2.52	
Mountain Cat 900 / 144	03	15	144	2.52	
Mountain Cat 900 / 151 (inc. EFI)	03-04	15	151	2.52	
Mountain Cat 900 / 159 (inc. EFI)	04	15	159	2.52	
Pantera - all	96-05	15	136	2.52	
Panther - all except Panther Trail	96-07	15	136	2.52	
Panther Trail	07	15	121	2.52	
Powder Extreme	97-99	15	136	2.52	
Powder Special	96-00	15	136	2.52	
Puma & Puma Deluxe	96-98	15	121	2.52	
Puma Two-Up	96-98	15	136	2.52	
Sabercat - all except Sabercat EXT	05-06	13,5	128	2.52	rear axle mod.
Sabercat - all except Sabercat EXT	04	13.5	128	2.52	
Sabercat EXT - all	04-06	13.5	144	2.52	no track available
T660 Bearcat - see Bearcat WT					
T660 Trail, Turbo Trail & Turbo ST	04-07	15	121	2.52	
T660 Touring, Turbo Touring & Turbo T. LE	04-07	15	136	2.52	
Thundercat	96-02	15	121	2.52	
Thundercat Mountain Cat	96-00	15	136	2.52	
Triple Touring	98-01	15	136	2.52	
Wildcat	96	15	121	2.52	
Wildcat Mountain Cat	96	15	136	2.52	
Wildcat EFI Touring	96	15	136	2.52	
Yellowstone Special - see 4-Stroke					
Z - all except 120	96-07	15	121	2.52	
ZL - all	96-03	15	121	2.52	
ZR - all including Sno Pro except 120	96-06	15	121	2.52	
ZRT - all	96-02	15	121	2.52	

Polaris

340 LX	07	15	121	2.52	
340 Touring	04-07	15	136	2.52	
340 Touring	99-03	15	133.5	2.52	use 136 track -
550 LX	07	15	121	2.52	
600 HO IQ (inc. CFI)	07	15	121	2.52	
600 HO IQ LX CFI (M-10 suspension)	07	15	128	2.52	07 Hack Saw
600 HO IQ Touring	07	15	136	2.52	
800 LE	01	15	121	2.52	
Class. - all exc. 06 700 (some with M-10.)	97-06	15	121	2.52	
Classic 700 (M-10 suspension)	06	15	128	2.52	
Classic Touring 500, 600 & 800	96-03	15	133.5	2.52	use 136 track -
Classic Touring 700	03	15	136	2.52	
Dragon	07	15	121	2.52	07 Rip Saw
Dragon RMK	07	15	155	2.86	track to come later
Edge Touring - all	04-05	15	136	2.52	
Frontier Classic	03-04	15	121	2.52	

Polaris

	Year	Width	Length	Pitch	Applications
Frontier Touring	03-05	15	136	2.52	
FS Classic (M-10 suspension)	06	15	128	2.52	
FS IQ Touring	06-07	15	136	2.52	
FST Classic (M-10 suspension)	06	15	128	2.52	
FST IQ	07	15	121	2.52	07 Rip Saw
FST IQ Cruiser	07	15	136	2.52	
FST IQ LX (M-10 suspension)	07	15	128	2.52	07 Hack Saw
FST IQ Touring	06-07	15	136	2.52	
Fusion - all	05-06	15	121	2.52	
Indy 340 (inc. Deluxe)	99-04	15	121	2.52	
Indy 440	96-98	15	121	2.52	
Indy 500 (inc. EFI)	96-06	15	121	2.52	
Indy 500 SKS (inc. EFI)	96	15	133.5	2.52	use 136 track .
Indy Lite (inc. Deluxe)	96-98	15	121	2.52	
Indy Lite Touring & Indy Lite GT	96-98	15	133.5	2.52	use 136 track -
Indy Sport - see Sport					
Indy Trail - see Trail					
Pro X - all except 120	03-04	15	121	2.52	
Pro X2 - all	04	15	121	2.52	
Pro XR 800	04	14	121	2.52	
RMK 500 (inc. EFI)	96-99	15	133.5	2.52	use 136 track -
RMK 500, 600, 700 & 800 / 136	00-02	15	136	2.52	
RMK 600 & 700	97-99	15	136	2.52	
RMK 600, 600 HO, 700, 800 / 144	01-07	15	144	2.52	
RMK 600 HO & Dragon / 155	07	15	155	2.86	track to come later
RMK 700, 800 & 900 / 151	01-06	15	151	2.52	
RMK 700, 800 & 900 / 159	04-06	15	159	2.52	
RMK 800 / 156	02	15	156	2.52	p/n 9080M Challenger
RMK 900 / 166	05-06	15	166	2.52	
RMK Storm - see Storm RMK					
RMK Trail - see Trail RMK					
RMK XLT - see XLT RMK					
RMK Ultra - see Ultra RMK					
RXL	98	15	121	2.52	
SKS - all	03	15	144	2.52	
SKS - all	99-02	15	136	2.52	
SKS 500	96-97	15	133.5	2.52	use 136 track -
SKS 700	97	15	136	2.52	
Sport	96-99	15	121	2.52	
Sport Touring - all	00-04	15	136	2.52	
Sport Touring - all	96-99	15	133.5	2.52	use 136 track
Storm (inc. LE)	96- 98	15	121	2.52	
Storm RMK	96-97	15	133.5	2.52	use 136 track -
Storm SKS	96	15	133.5	2.52	use 136 track -
Super Sport - all	96-07	15	121	2.52	
Switchback - all	04-07	15	144	2.52	
Touring 600 & 700	06	15	136	2.52	
Trail	96-99	15	121	2.52	
Trail RMK	99-07	15	136	2.52	
Trail RMK	97-98	15	133.5	2.52	use 136 track -
Trail Touring (inc. Deluxe)	04-07	15	136	2.52	
Trail Touring	96-03	15	133.5	2.52	use 136 track -

Polaris

TranSport	96-99	15	141	2.52	
Triumph	00	15	121	2.52	
Ultra (inc. SP, SPX & SPX SE)	96-98	15	121	2.52	
Ultra RMK	96	15	133.5	2.52	use 136 track -
Ultra SKS	96	15	133.5	2.52	use 136 track -
Ultra Touring	97-98	15	133.5	2.52	use 136 track -
WideTrak GT	96-97	20	141	2.52	
WideTrak LX	96-07	20	156	2.52	
XC -all	97-03	15	121	2.52	
XC SP - all except 120	99-07	15	121	2.52	
XCF	97-02	15	121	2.52	
XCR - all except 120	96-03	15	121	2.52	
XLT (inc. Classic, Special & Limited)	96-99	15	121	2.52	
XLT RMK	96-97	15	133.5	2.52	use 136 track -
XLT SKS	96-97	15	133.5	2.52	use 136 track -
XLT Touring	96-99	15	133.5	2.52	use 136 track -
Vertical Escape	03	15	159	2.52	

Ski-doo

07 Ice Ripper opt on MX-Z X & X-RS

Elan	96	15	114	1.968	
Elite	04-05	15	136	2.52	twin track
Expedition Sport	05-07	16	136	2.52	
Expedition TUV	05-07	20	156	2.52	
Formula III - all	96-00	15	121	2.52	
Formula III LT - all	96-98	15	136	2.52	
Formula 500 (inc. LC & Deluxe)	97-00	15	121	2.52	
Formula 583 (inc. Deluxe)	97-99	15	121	2.52	
Formula Deluxe - all	99-01	15	121	2.52	
Formula S (inc. Electric), SL & SLS	96-00	15	121	2.52	
Formula SS 670	96	15	121	2.52	
Formula STX 583	96	15	121	2.52	
Formula STX LT 583	96	15	136	2.52	
Formula Z - all	96-00	15	121	2.52	
Freestyle - all exc. Back Country 550F	06-07	15	121	2.52	
Freestyle Back Country 550F	07	16	136	2.52	
Grand Touring - all	96-03	15	136	2.52	
GSX - all	04-07	15	121	2.52	
GTX - all	05-07	15	136	2.52	
Legend Fan, Sport, GS & SE - all	02-05	15	121	2.52	
Legend GT (inc. SE) - all	04-05	15	136	2.52	
Legend Touring V-800 4-stroke	07	15	136	2.52	
Legend Trail V-800 4-stroke	07	15	121	2.52	
Mach 1 - all	96-00	15	121	2.52	
Mach Z - all	05-07	15	121	2.52	07 Rip Saw option
Mach Z - all except LT	96-03	15	121	2.52	
Mach Z LT	97-98	15	136	2.52	
MX-Z - all except Renegade & X-RS	96-07	15	121	2.52	07 Rip Saw
MX-Z Renegade - all incl. Renegade X	05-07	16	136	2.52	07 Rip Saw
MX-Z Renegade - all	02-04	15	136	2.52	
MX-Z X-RS	07	15	121	2.52	07 pre-holed Rip Saw
Skandic 380 & 500	96-00	15	136	2.52	
Skandic LT	01-07	15	156	2.52	

Skidoo

Skandic Sport	03-04	15	136	2.52
Skandic SUV	03-07	20	156	2.52
Skandic SWT	97-07	24	156	2.52
Skandic Tundra	06-07	15	136	2.52
Skandic Tundra	02-05	15	139	1.968
Skandic WT (inc. LC)	96-07	20	156	2.52
Summit - all	96-00	15	136	2.52
Summit 600 & 700	01	15	144	2.52
Summit Adrenaline	04	16	144	2.52
Summit Adrenaline	03	15	144	2.52
Summit Adrenaline 144	05-07	16	144	2.52
Summit Adrenaline 151	05-07	16	151	2.52
Summit Fan 550F	07	16	136	2.52
Summit Fan 550F	01-06	15	136	2.52
Summit Highmark	04	16	151	2.52
Summit Highmark	01-03	15	151	2.52
Summit Highmark 151 1000 SDI	07	16	151	2.52
Summit Highmark 162 1000 SDI	05-07	16	162	2.52
Summit Highmark Extreme	04	16	159	2.52
Summit Highmark Extreme	03	15	159	2.52
Summit Highmark X	04	16	151	2.52
Summit Highmark X	01-03	15	151	2.52
Summit Highmark X 144	05-07	16	144	2.52
Summit Highmark X 151	05-07	16	151	2.52
Summit Highmark X 151 1000 SDI	06-07	16	151	2.52
Summit Highmark X 159	05-07	16	159	2.52
Summit Highmark X 162 1000 SDI	05-07	16	162	2.52
Summit Sport - all	04	16	151	2.52
Summit Sport - all	02	15	144	2.52
Summit X - all	01-03	15	144	2.52
Summit X-RS	07	16	151	2.52
Touring - all except Touring E	96-02	15	136	2.52
Touring E	98-00	15	136	2.52
Touring E	96-97	15	121	2.52
Touring E LT II	96-97	15	136	2.52
Tundra - see Skandic Tundra	02-07			
Tundra - all	96-00	15	139	1.968

Yamaha

Apex Mountain (inc. SE)	06-07	16	162	3.00	07 Maverick
Apex RTX (inc. GT & ER)	06-07	15	121	2.52	07 Rip Saw
Attak (inc. GT)	06-07	15	136	2.52	07 Rip Saw
Bravo	97	15	102	2.52	no track available
Bravo LT	96-00	15	136	2.52	
Enticer II LT	00	15	136	2.52	
Mountain Max - all	00-04	15	141	2.52	
Mountain Max - all	97-99	15	136	2.52	
Mountain SRX	98	15	136	2.52	
Nytro (inc. ER)	06-07	15	121	2.52	07 Rip Saw
Ovation LE	96-00	15	109	2.52	no track available
Phazer (inc. FX)	07	14	121	2.52	07 Rip Saw
Phazer GT	07	14	121	2.52	07 Hack Saw

Yamaha

Mountain SRX	98	15	136	2.52	
Nytro (inc. ER)	06-07	15	121	2.52	07 Rip Saw
Ovation LE	96-00	15	109	2.52	no track available
Phazer (inc. FX)	07	14	121	2.52	07 Rip Saw
Phazer GT	07	14	121	2.52	07 Hack Saw
Phazer Mountain Lite	07	14	144	2.52	track to come later
Phazer Mountain Lite	96-01	15	136	2.52	
Phazer II (inc. SS, LE & Deluxe)	96-01	15	121	2.52	
RS Rage (inc. GT)	05-07	15	136	2.52	07 Rip Saw
RS Vector GT & RS Vector ER	05-07	15	121	2.52	07 Rip Saw
RS Vector Mountain	05-07	15	151	2.52	07 Challenger
RS Vector Mountain SE	06-07	16	162	3.00	07 Maverick
RS Venture (inc. GT)	06-07	15	144	2.52	07 Rip Saw
RX-1 (inc. ER & LE)	03-05	15	121	2.52	
RX-1 Mountain	04-05	15	151	2.52	
RX-1 Warrior (inc. LE)	04	15	136	2.52	
SRX 600 & 700	98-02	15	121	2.52	
SRX Mountain - see Mountain SRX					
SX & SX-R - all	99-02	15	121	2.52	
SX Venom	04-06	15	121	2.52	
SX Viper	02-04	15	121	2.52	
SX Viper Mountain	03-06	15	144	2.52	
Venture 500, 600 & 700	97-06	15	121	2.52	
Venture Lite	07	15	144	2.52	07 Rip Saw
Venture TR	96-97	15	136	2.52	
Venture XL	99-00	15	136	2.52	
Venture XL	96-97	15	121	2.52	
VK 540 II & III	96-05	20	156	2.52	
VK Professional	07	20	156	2.52	07 Rip Saw
Vmax XT, XTC, XTC Deluxe, LE & SX - all	96-00	15	121	2.52	
Vmax DX (Deluxe) - all	97-01	15	121	2.52	
Vmax DX (Deluxe) - all	96	15	136	2.52	
Vmax Mountain Max	96	15	136	2.52	
Vmax-4	96-97	15	121	2.52	
Vmax-4 Mountain Max	96-97	15	136	2.52	

Huom.

Tätä taulukkoa saa ihan vapaasti kopioida.

Huomaa myös, että se kelkka, johon ilmoitetaan: ei ole mattoa, tarkoittaa sitä, ettei Camoplast ole tehnyt edes alkuperäistä ja saatavilla olevat matot ovat jonkun muun tekemiä (ja todennäköisesti arvokkaita).

Listan ulkopuolella on muutama kelkka, joihin ei mattoa ole, esim: Manx, kaikki Arctic Catit, joissa liukujen väli on n. 20 mm kapeampi kuin kaikissa muissa kelkoissa.

Skidoo 440 kisamalli 06-07, ei meillä ole mattoa, sillä jako on 2,75".

Hyvin monet kelkat, joissa kiskoväli on normaali, voidaan joko pidentää tai lyhentää. Ominaisuudet saattavat jopa parantua.

Lynx

Lynx no	mitat, cm	puikot	mm	Camoplast	mitat	puikot	vuosi
13028	38 x 330	52	22	04-9953	38 x 325	51	
13027							
13029	GL 2300, SPORT, GL 2300, 3500FC, 3600LC, 3800LC GLS 3500, GLS 3600						91-92 91-93
13038	38 x 320	50	22	04-9953	38 x 325	51	
13050	LIGHT, ULTRA RACING, ENDURO, RAVE SPORT XR						93-97 94-96 96
13045	38 x 320	50	30	04-9953	38 x 325	51	
	KILPAVERSIO (SL13038)						92-00
13053	=13064	RAVE 670, RACING, ENDURO					97
13059	=13064	RAVE 670, ENDURO 500/600					98
	SPORT XR, LIGHT TOURING						98
13064	38 x 320	50	22	04-9953	38 x 325	51	
	SPORT XR, XR500 F RAVE 670, ENDURO 500 TOURING 400 F, XR500 LC						99 98-99 00
130002	38 x 320	50	30	04-9953	38 x 325	51	
=130001	60 SHORE KISAMATTO						
130004	38 x 345	54	30	04-9922	38 x 345	54	
	60 SHORE KISAMATTO						
1472038	38 x 307	48	30	04-9828	38 x 307	48	
=13065	RACING, 50 SHORE						98-
=13071	ENDURO 400 F						01-05
	RAVE 800						01-05
	ENDURO 600/700						01
	ENDURO 550 F						03-05
1472039	38 x 307	48	30	04-9818	38 x 307	48	
=13066	RACING, 60 SHORE						98-
	ENDURO 400 F, RAVE 800						01
	ENDURO 600						01-05
	ENDURO 500						02-05
	RAVE 800						03
	ENDURO 700						01-02

Lynx

Lynx no	mitat, cm	puikot	mm	Camoplast	mitat	puikot	vuosi
13068	38 x 307	48	32	04-9828	38 x 307	48	
	RACING, 50 SHORE						98-
	RAVE 800, ENDURO SPORT, ENDURO 600 SDI						05
13078	RACING, 50 SHORE						98-
504- 151815 152483	38 x 307	48	32	04-9828	38 x 307	48	
	RACING, 60 SHORE						98-
	RACING, 60 SHORE, RAVE N-DURO 550 F						98-
	RAVE N-DURO 550 F, RAVE RC 800						06
	RAVE 550						07
13075	38 x 307	48	38	04-9930	38 x 307	48	
	RACING, RACING 440						04
	RAVE 440						05-
	RAVE RC 800 POWER TEK, RAVE 600 SDI/HO,						07
504- 152485	38 x 307	48	22	04-9009	38 x 307	48	
	ENDURO 500						01
	XR 500 F, ENDURO 600 SP, RAVE						00
	ENDURO SPECIAL						99
	ENDURO 400 F, 500 F						02
13040 13041	38 x 350	55	22	04-9010	38 x 345	54	
	KYSEESSÄ G-TYPEN AIKAISET PITUUDET, ONNEA!						
504- 142455	38 x 345	54	22	04-9794	38 x 345	54	
	G-TOURING 600/700/ROYAL						97-00
	TOURING 500 LC, 500 F						00
	LIGHT TOURING						98-99
	GRAND TOURING HC						97
TÄHÄN RYHMÄÄN 22-25 MM JA 345 CM MATTOJEN TILALLE ON CAMOPLASTILLA MONIA, HYVIÄ VAIHTOEHTOJA. KATSO LUETTELO.							
13069	38 x 345	54	25	04-9010	38 x 345	54	
	S-TOURING 500,						01-03
	SUPER TOURING 600						02-04
	EXPLORER						01-05
	S-TOURING 700						02
	TRAVELLER						01
	SAFARI 400 F						01-06
	ADVENTURE 300						07

LYNX

Lynx no	mitat, cm	puikot	mm	Camoplast	mitat	puikot	vuosi
504- 152028 152488	38 x 345	54	32	04-9922	38 x 345	54	01-02 02 03-05 07
504- 151973	38 x 365	57	50	04-9875	38 x 365	57	03-05
504- 152039	38 x 365	57	32	04-9923	38 x 365	57	04-05 05 05
13077	38 x 365	57	32	04-9923	38 x 365	57	06 06 07
04-9003	38 x 365	57	38	04-9003	38 x 365	57	07

TYÖKELKAT

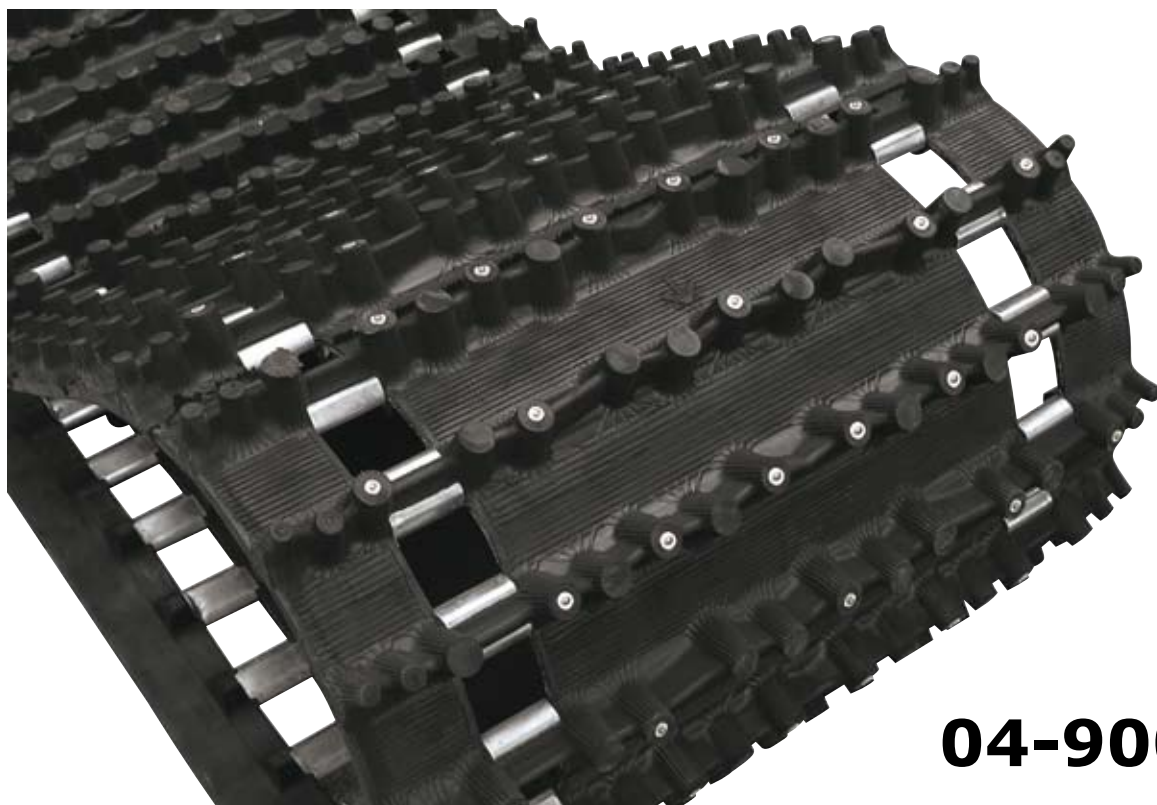
13031	38 x 388	61	22				
TÄTÄ MATTOA EI ENÄÄ VALMISTETA. KORVATAAN 04-9806 + MUUTOS							
13035	38 x 396	62	22	04-9806	38 x 396	62	94-95 96-97 96-98
13057	38 x 396	62	25	04-9806	38 x 396	62	98-99 99- 00 01-03 03-04 04-06 06
UUSI	38 x 396	62	32	04-9925	38 x 403	63	07

TYÖKELKAT 500 MM LEVEÄT



04-9002

Nämä matot voi asentaa kaikkiin 50 cm leveisiin työkelkkoihin, joissa on sisävetopyörät.
Harjan korkeus 32 mm



04-9008